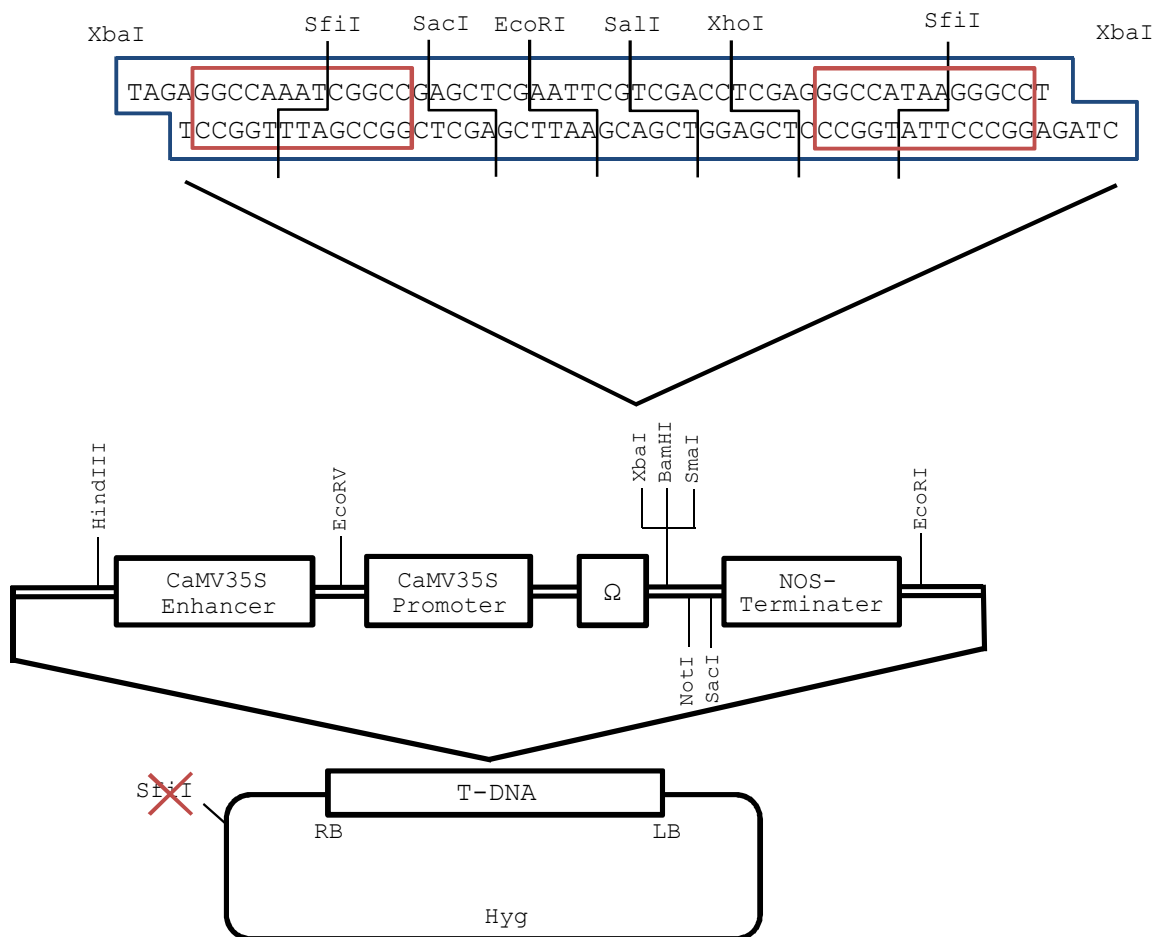
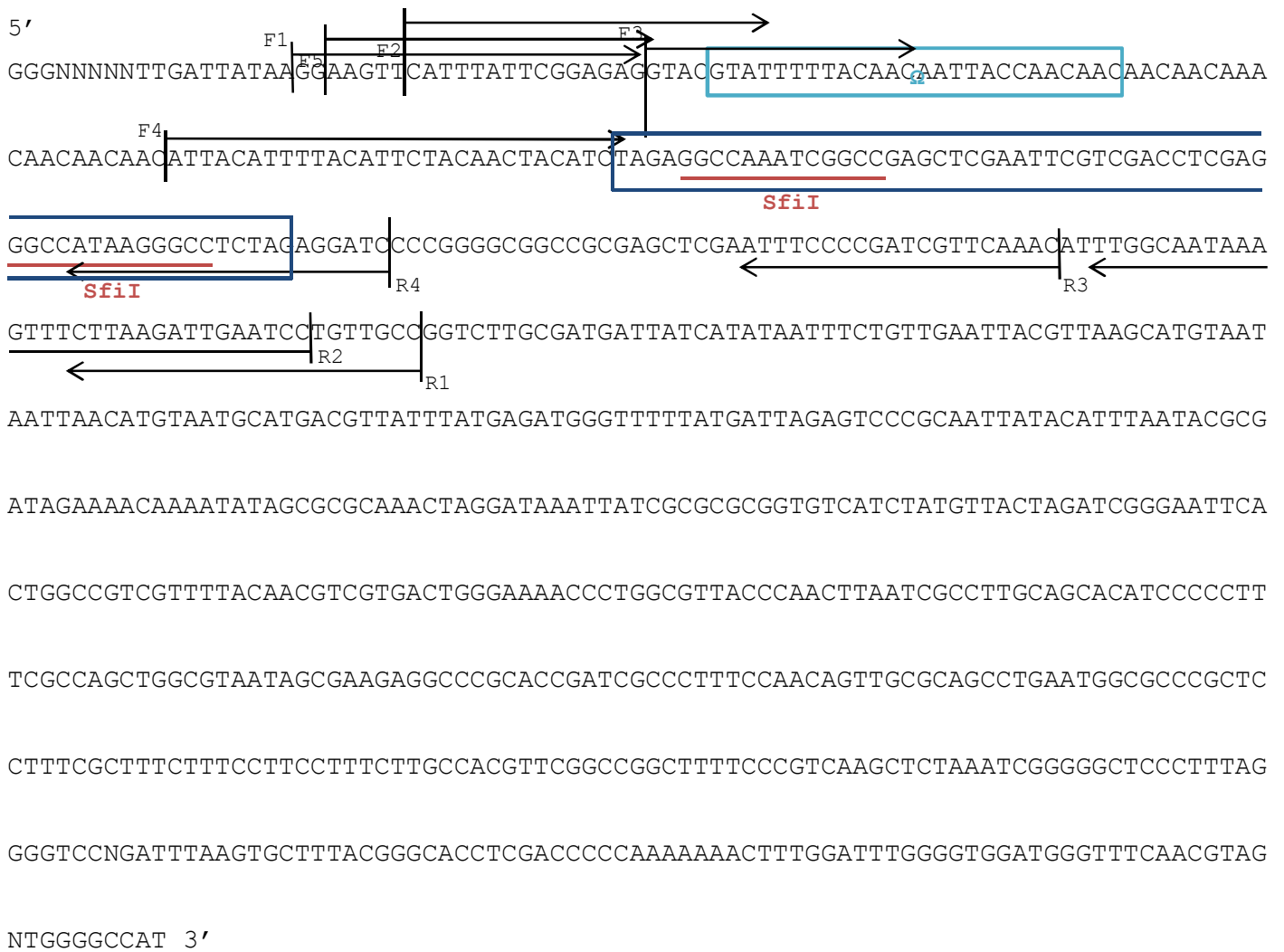


FOX vector pBIG2113SF information



Full-length cDNA is inserted between two sfiI sites.

【 Primers 】



[Primer set to amplify the fl-cDNA]

Forward primer		Reverse primer	
Name	Sequence	Name	Sequence
F1	5'GGAAGTTCATTTATTCGGAGAG 3'	R1	5'GGCAACAGGATTCAATCTTAAG 3'
F2	5'CATTTATTCGGAGAGGTACGTAT 3'	R2	5'GGATTCAATCTTAAGAACTTTATTGCCAA 3'
F3	5'GTACGTATTTTTACAACAATTACCAACAAC 3'	R3	5'CAAATGTTTGAACGATCGGGGAAAT 3'
F4	5'ATTACATTTTACATTCTACAACACTACATCT 3'	R4	5'GATCCTCTAGAGGCCCTTAT 3'
F5	5'AAGTTCATTTATTCGGAGAGG 3'		
F6	5'CCCCCCCCCCCCD (A or G or T) 3'		
F7	5'AAAAAAAAAAAAAB (C or G or T) 3'		

- * Combination of F1 and R1 primers is best for amplifying full-length cDNA insert.
- * F5 is good for sequencing of full-length cDNA insert in FOX line.
- * F6 and F7 can be used for sequencing of Arabidopsis FOX line (not for rice FOX Arabidopsis line).